

Monnit WIT™

Wireless Flex Sensor



Technical Overview

General Description

The Wireless Flex Sensor measures the amount of bend (force) applied to the ribbon sensor.

Features

- Detects and measures bend of ribbon sensor.
- Free iMonnit online wireless sensor monitoring and notification system to configure sensors, view data and set alerts via SMS text and email.

Principle of Operation

The wireless flex sensor uses a flexible, stress sensitive ribbon (potentiometer) to accurately measure the amount of bend or force applied to the ribbon. The sensor returns a value of the amount of bend to the iMonnit Online Sensor Monitoring and Notification System. The data is stored in the online system and can be reviewed and exported as a data sheet or graph. Notifications can be set up through the online system to alert the user when a set threshold has been met or exceeded.

Power Options

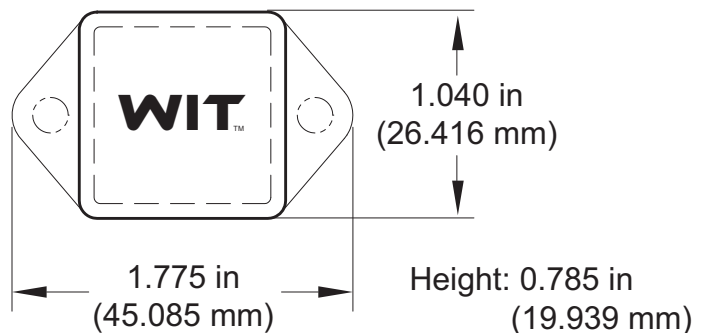
Sensors are powered by a replaceable 3.0 V lithium coin cell battery. Optional AA battery powered sensors are available. The AA version of these sensors are larger in size (3" [L] x 2.1" [W] x 1.2" [H]) and include two AA long-life lithium ion batteries.

It is recommended that unless you are using the AA battery solution, you set heartbeat to no faster than one hour to preserve battery life.

Monnit WIT Sensors Core Specifications

- Power: Replaceable 3.0 V lithium coin cell battery
- Communication: RF 900 MHz
- Dimensions: 1.775" x 1.040" x 0.785"
- Antenna: 4" wire antenna
- Operating Temperature: -40° to 85°C (-40° to 185°F)
- Device Range: 250 - 300 ft. non-line-of-sight*
- Battery Life: At 1 hour heartbeat setting, coin cell battery will last ~ 1-2 years.**

* Actual range may vary depending on environment.
** Battery life is determined by sensor reporting frequency and other variables.



Maximum Ratings

Temperature Range	- 40°C to +85°C (- 40°F to +185°F)
Storage Humidity Range	<75% RH

Example Applications

- Measure mechanical movement.
- HVAC air flow monitoring.
- Monitor if seats are occupied.

The Leader in Low Cost Wireless Sensors

Technical Specifications	
Supply Voltage	2.0 - 3.6 VDC *
Current Consumption	0.7 μ A (sleep mode) 2 mA (radio idle/off mode) 2 mA (measurement mode) 25 mA (radio RX mode) 35 mA (radio TX mode)
Operating Temperature Range	-40°C to +85°C (-40°F to +185°F) **
Optimal Battery Temperature Range (Coin Cell)	+10°C to +60°C (+50°F to +140°F)
Base Resistance	100 Ω - 500 K Ω

* Hardware can not withstand negative voltage. Please take care when connecting a power device.

** At temperatures above 100°C, it is possible to lose programmed memory.

 **Warning: Do not kink or damage the flexible ribbon!**

Caution/Notice:

This product is designed for application in an ordinary environment (normal room temperature, humidity and atmospheric pressure). Do not use this sensor under the following conditions as these factors can deteriorate the product characteristics and cause failures and burn-out.

- Corrosive gas or deoxidizing gas - chlorine gas, hydrogen sulfide gas, ammonia gas, sulfuric acid gas, nitric oxides gas, etc.).
- Volatile or flammable gas.
- Dusty conditions.
- Under low or high pressure.
- Wet or excessively humid locations.
- Places with salt water, oils chemical liquids or organic solvents.
- Where there are excessively strong vibrations.
- Other places where similar hazardous conditions exist.

Use this product within the specified temperature range. Higher temperature may cause deterioration of the characteristics or the material quality of this product.

MONNITTM

Monnit Corporation
7304 South Cottonwood
Suite #204
Midvale, Utah 84047
801-561-5555
www.monnit.com

For more information about our products or to place an order, please contact our sales department at 801-561-5555.

Visit us on the web at www.monnit.com.